

# Product datasheet

## Captair Bio 321 Smart

Mobile ductless filtering PCR workstation

### Complete protection for RNA/DNA amplification

Featuring a high efficiency filtration system that provides a particulate free atmosphere around the manipulation. A high energy UV light is used to decontaminate the worktop from biological cross-contamination between operations.

### Particulate free workstation

- Protection against external contamination
- Internal air quality achieved by high efficiency particulate filter(s) (HEPA H 14 / ULPA U16)
- Carbon filter (optional) to protect handlings from VOCs present in the laboratory atmosphere

### UV decontamination

- Protect your samples from cross-contamination
- Powerful UV decontamination (254 nm lamp power)
- Adjustable timer
- Automatic UV lamp off switch in case the sash is opened when the UV light is on

### Easy to clean

- Work surface is easy to clean
- Seamless worktop with smooth corners (available in TRESPA® TopLab<sup>PLU</sup> or Stainless steel (304L))
- Low porosity material

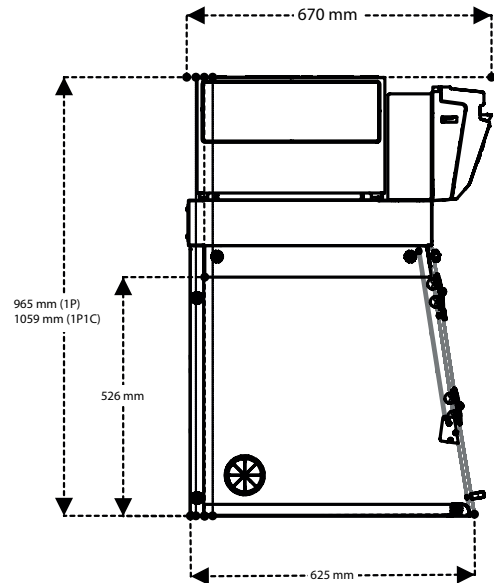
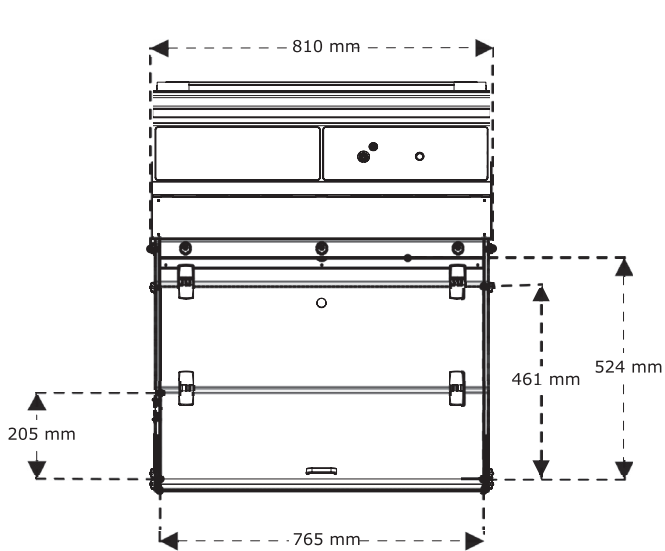
### Ergonomic design

- Slanted sash provides an ergonomic position for comfort and productivity
- High luminosity, internal LED lighting (daylight, light intensity > 800 lux)
- Side panel utility ports for allow electrical cables and/or fluid lines to enter the enclosure with ease



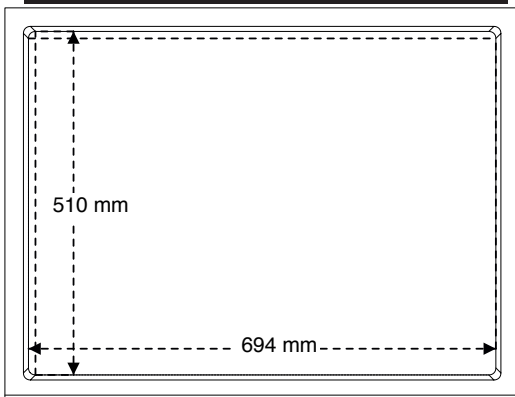
Download our  
eGuard application



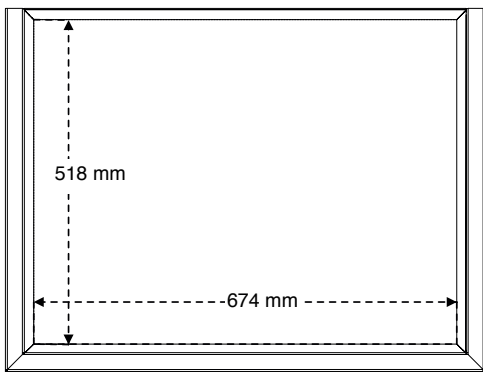


Please add 150 mm between the last filter and the ceiling to allow good air recirculation and to replace filters easily.

**Work surfaces with built in spill tray**

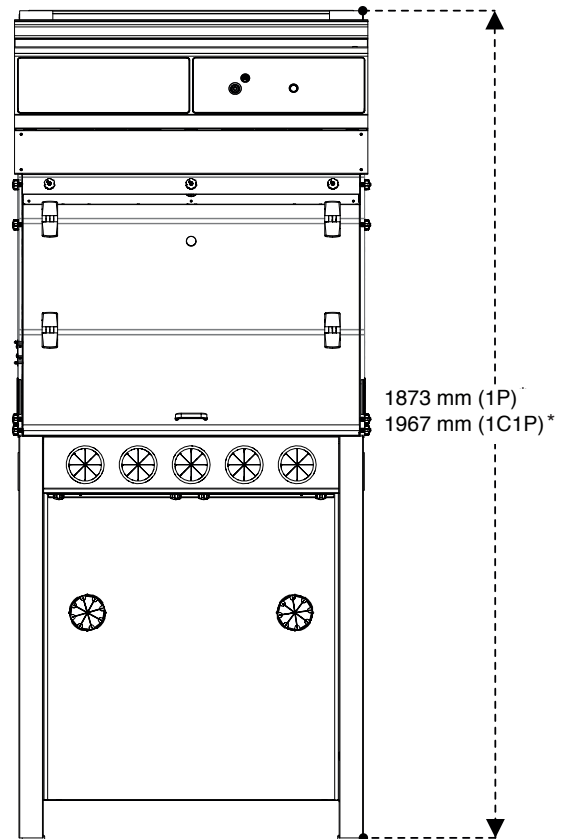


**Trespa® Top Lab<sup>PLUS</sup>**



**Stainless steel 304 L**

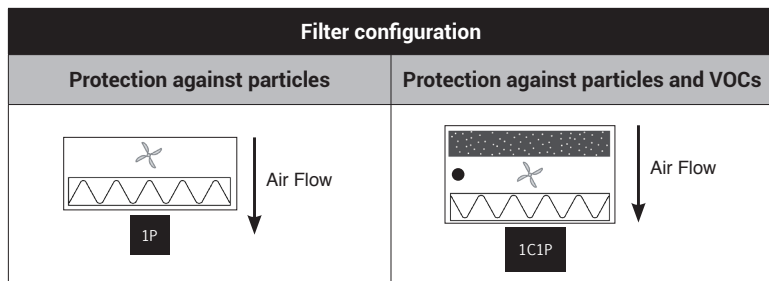
**Benchcap: fixed work bench**



\* For Mobicap: rolling cart, deduct 27 mm



Designed with you in mind:  
Our filtration column can be configured for your specific application requirements.



### Filter types:



Particulate filtration for powders



Carbon filtration for gases and vapors

-  **Ventilation**
-  **Molecode** : Automatic alarm to detect filter breakthrough

Model	1P	1C1P
<b>Safety standards</b>	NF EN 61010 - CE Marking - EN 1822:1998 (HEPA H14 & ULPA U16 Filters)	
<b>External width (mm-in)</b>	810 / 31.8	
<b>External depth (mm-in)</b>	670 / 26.4	
<b>External height min-max (mm-in)</b>	965-1059 / 37.9 - 41.7	
<b>Internal width (mm-in)</b>	765 / 30.1	
<b>Internal depth min-max (mm-in)</b>	497-585 / 19.5 - 23	
<b>Internal height (mm-in)</b>	461 / 18.1	
<b>Voltage / Frequency (V-Hz)</b>	100-240 / 50-60	
<b>Air face velocity (m/s-fpm)</b>	0.35 - 69	
<b>Air flow (m<sup>3</sup>/h-CFM)</b>	200 / 118	245 / 144
<b>Power consumption (W)</b>	40	45
<b>Decibel level (dBA)</b>	54	57
<b>Side and front panels</b>	Enclosure in 10 mm thick synthetic glass is designed to protect users from harmful UV rays and β (Bêta) emitted from radioactive isotopes such as: T(3H), 14C, 32P	
<b>Structure</b>	Corrosion resistant electro-galvanized steel coated with anti-acid polymer	
<b>Filtration module</b>	Polypropylene	

## Filtration

<b>Particulate filter (1P)</b>	HEPA H14 : This filtration technology traps particles larger than 0.1 μm with 99.995% efficiency according to the MPPS method set forth in the EN 1822-1 standard. ULPA U16 :This filtration technology traps particles larger than 0.1 μm with 99.99995% efficiency according to the MPPS method set forth in the EN 1822-1 standard.
<b>Carbon filter (optional) (1C)</b>	Adding a carbon filter to your enclosure allows protection of your samples from VOCs. AS filter: For organic vapors
<b>Particulate pre-filter</b>	Protect particulate filters from dust contained in the laboratory environment (only for 1P version)

## Features

<b>Worktop</b>	Stainless steel 304 L / TRESPA® TopLab PLUS
<b>Bactericidal UV Lights</b>	15W - Wavelength : 254 nm
	0.08 mJ/ s/cm <sup>2</sup>
<b>Internal lighting</b>	LED - IP 44 - 6000K
	900 lux
<b>eGuard app (Android or iOS)</b>	Mobile app for real time remote control of Smart devices
<b>Connectivity</b>	RJ45 cable connection to view and change workstation settings (cable included)
<b>Anemometer</b>	Monitors a drop in pressure that indicates pre-filter or filter replacement is required
<b>Side panel utility ports</b>	For allow electrical cables and/or fluid lines to enter the enclosure with ease - 2 per unit

## Accessories

<b>Benches</b>	Rolling cart (Mobicap) or fixed bench (Benchcap)
<b>Shelves</b>	Internal metal sliding shelf (only for Benchcap)
<b>Molecode S</b>	Automatic detection of VOC filter breakthrough



Erlab's state of the art Research & Development Laboratory relies exclusively on filtration

# About Erlab

## We provide safety, we protect your health

Erlab invented the ductless fume hood in 1968. With more than 50 years of experience in the field of chemical filtration and protection of laboratory personnel; we know the formula for safety. With Erlab, you will never have to wonder or worry if our products are safe. We build each one of the following 7 ingredients into our products, and without all of them, your health and safety will be compromised.

### 1 Erlab R&D Laboratory

The engineers and chemists in our state-of-the-art R&D laboratory understand molecular filtration. We are committed to designing products that are safe and of the highest quality, strive to improve our products, and continuously develop new products that provide greater protection in the laboratory.

### 2 Strict Safety Standards

We hold ourselves to the highest standard and adhere to the strict AFNOR NF X 15-211: 2009 filtration safety standard as endorsed by ANSI Z9.5-2012.

### 3 A Published Chemical Listing

It all begins here. Without this listing, we are not compliant with AFNOR NFX 15-211. Our in-house laboratory tests, as well as independent testing, to verify the retention capacity of over 700 chemicals for our filters.

### 4 Independent Testing

Erlab filters have been independently tested multiple times at various concentrations guaranteeing that our safety solutions all adhere to the strict performance criteria of the AFNOR NF X 15-211:2009 standard assuring that the emission concentration at the filter exhaust will always be lower than 1% of the TLV.

### 5 Application Questionnaire (Valiquest)

Our laboratory specialists will recommend the appropriate filtration fume hood, type of filter, and personalized advice.

### 6 Certificate of Validation for the chemicals used in the hood

A certified PhD chemist issues a Certificate of Validation with a list of the chemicals approved for use in the hood.

### 7 Our Safety Program

We back up our products 100%. This program includes your specialized chemical evaluation, validation of your hood upon installation, and a filtration safety specialist at your service to ensure that your hood is operating to its full potential.

France  
+33 (0) 2 32 09 55 80 | ventes@erlab.net

United States  
+1 800-964-4434 | captairsales@erlab.com

China  
+86 (0) 512 5781 4085 | sales.china@erlab.com.cn

Spain  
+34 936 732 474 | export.south@erlab.net

Germany  
0800 330 47 31 | export.north@erlab.net

United Kingdom  
+44 (0) 1722 341 940 | export.north@erlab.net

Italy  
+39 (0) 2 89 00 771 | export.south@erlab.net