

Product datasheet

Captair Flow 391 Smart

Mobile ductless filtering clean air enclosure

Providing an ultra-clean, dust free environment

The high efficiency filtration system features HEPA H14 (or ULPA U16) filters that provide optimum protection against external particulate contamination and are designed to provide an ISO 14644-1:2015, Class 5* work environment.

Particulate free workstation

- Protection against external contamination
- Internal air quality achieved by high efficiency particulate filter(s) (HEPA H 14 / ULPA U16)
- Carbon filter (optional) to protect handlings from VOCs present in the laboratory atmosphere
- ISO class 5* air quality in the enclosure according ISO 14644-1

Easy to clean

- Work surface is easy to clean
- Seamless worktop with smooth corners (available in TRESPA® TopLab^{PLUS} or Stainless steel 304L)
- Low porosity material

Ergonomic design

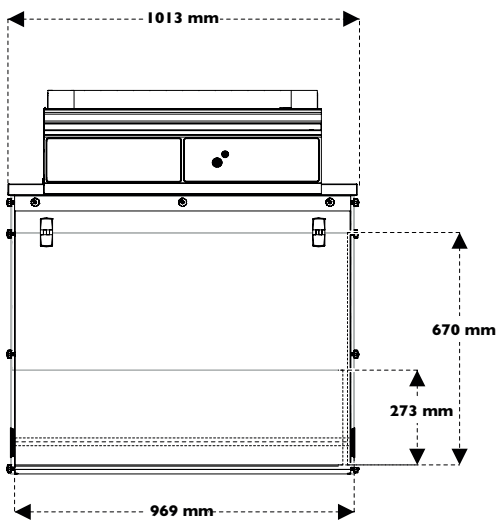
- Slanted sash provides an ergonomic position for comfort and productivity
- High luminosity, internal LED lighting (daylight, light intensity > 800 lux)
- 4 models available for your handlings

*With low dust level in the room

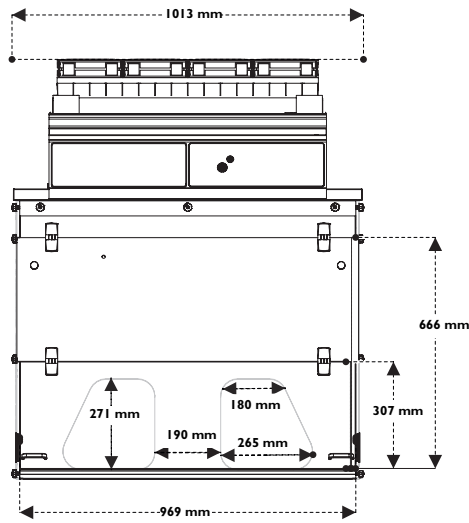


Download our
eGuard application

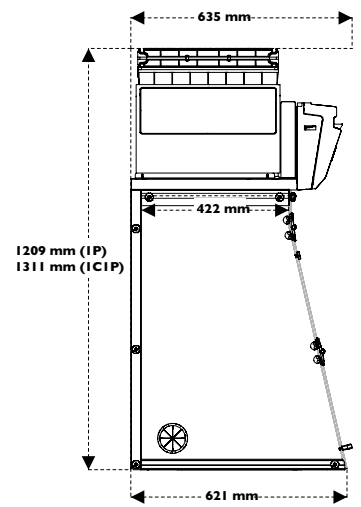




1P



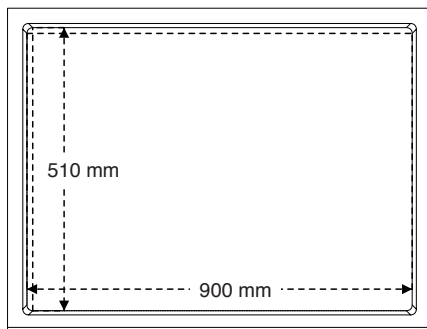
1C1P



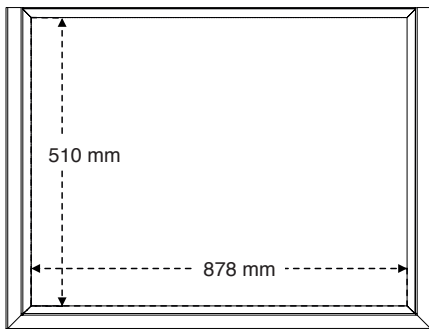
1P / 1C1P

Please add 150mm between the last filter and the ceiling to allow good air recirculation and to replace filters easily

Work surfaces with built in spill tray

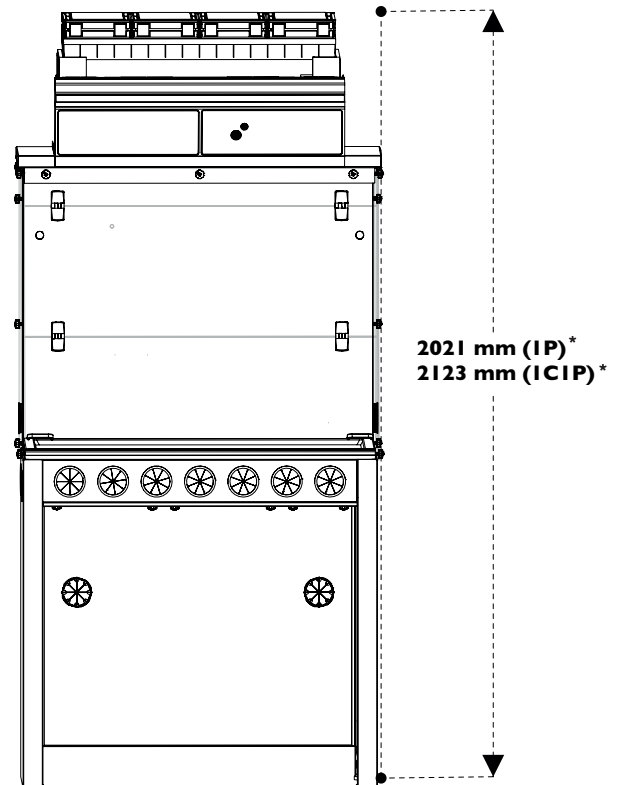


Trespa® Top Lab^{PLUS}



Stainless steel 304 L

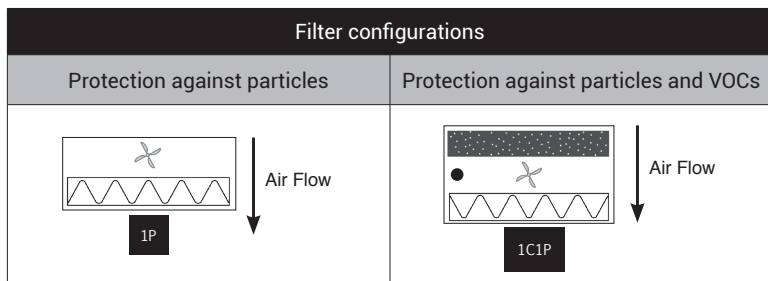
Benchcap: fixed work bench



* For Mobicap: rolling cart, deduct 27 mm



Designed with you in mind:
Our filtration column can be configured for your specific application requirements.



Filter types:



Particulate filtration for powders



Carbon filtration for gases and vapors

-  **Ventilation**
-  **Molecode** : Automatic alarm to detect filter breakthrough

Model	1P	1C1P
Safety standards	NF EN 61010 - CE Marking - EN 1822:1998 (HEPA H14 & ULPA U16 Filters) Air quality within the enclosure: ISO class 5+ EN 14644-1 standard	
External width (mm-in)	1013 / 39.9	
External depth (mm-in)	635 / 25	
External height min-max (mm-in)	1209-1311 / 47.6 - 51.6	
Internal width (mm-in)	969 / 38.1	
Internal depth min-max (mm-in)	422-585 / 16.6 - 23	
Internal height (mm-in)	670 / 26.4	666 / 26.2
Voltage / Frequency (V-Hz)	100-240 / 50-60	
Air face velocity (m/s-fpm)	0.35 - 69	
Air flow (m³/h-CFM)	345 / 203	150 / 88
Power consumption (W)	55	40
Decibel level (dBA)	62	52
Side and front panels	Chemical resistant acrylic	
Structure	Corrosion resistant electro-galvanized steel coated with anti-acid polymer	
Filtration module	Polypropylene	

Filtration

Particulate filter (1P)	HEPA H14 : This filtration technology traps particles larger than 0.1 µm with 99.995% efficiency according to the MPPS method set forth in the EN 1822-1 standard ULPA U16 :This filtration technology traps particles larger than 0.1 µm with 99.99995% efficiency according to the MPPS method set forth in the EN 1822-1 standard
Molecular filter (optional) (1C)	Adding a carbon filter to your enclosure allows protection of your samples from VOCs. AS filter: For organic vapors
Particulate pre-filter	Protect particulate filters from dust contained in the laboratory environment (only for 1P version)

Features

Worktop	Stainless steel 304 L / TRESPA® TopLab PLUS
Internal lighting	LED - IP 44 - 6000K
	850 lux
eGuard app (Android or iOS)	Mobile app for real time remote control of Smart devices
Connectivity	RJ45 cable connection to view and change workstation settings (cable included)
Anemometer	Monitors a drop in pressure that indicates pre-filter or filter replacement is required
Side panel utility ports	For allow electrical cables and/or fluid lines to enter the enclosure with ease - 2 per unit

Accessories

Benches	Rolling cart (Mobicap) or fixed bench (Benchcap)
Shelves	Internal metal sliding shelf (only for Benchcap)
Molecode S	Automatic detection of VOC filter breakthrough



Erlab's state of the art Research & Development Laboratory relies exclusively on filtration

About Erlab

We provide safety, we protect your health

Erlab invented the ductless fume hood in 1968. With more than 50 years of experience in the field of chemical filtration and protection of laboratory personnel; we know the formula for safety. With Erlab, you will never have to wonder or worry if our products are safe. We build each one of the following 7 ingredients into our products, and without all of them, your health and safety will be compromised.

1 Erlab R&D Laboratory

The engineers and chemists in our state-of-the-art R&D laboratory understand molecular filtration. We are committed to designing products that are safe and of the highest quality, strive to improve our products, and continuously develop new products that provide greater protection in the laboratory.

2 Strict Safety Standards

We hold ourselves to the highest standard and adhere to the strict AFNOR NF X 15-211: 2009 filtration safety standard as endorsed by ANSI Z9.5-2012.

3 A Published Chemical Listing

It all begins here. Without this listing, we are not compliant with AFNOR NFX 15-211. Our in-house laboratory tests, as well as independent testing, to verify the retention capacity of over 700 chemicals for our filters.

4 Independent Testing

Erlab filters have been independently tested multiple times at various concentrations guaranteeing that our safety solutions all adhere to the strict performance criteria of the AFNOR NF X 15-211:2009 standard assuring that the emission concentration at the filter exhaust will always be lower than 1% of the TLV.

5 Application Questionnaire (Valiquest)

Our laboratory specialists will recommend the appropriate filtration fume hood, type of filter, and personalized advice.

6 Certificate of Validation for the chemicals used in the hood

A certified PhD chemist issues a Certificate of Validation with a list of the chemicals approved for use in the hood.

7 Our Safety Program

We back up our products 100%. This program includes your specialized chemical evaluation, validation of your hood upon installation, and a filtration safety specialist at your service to ensure that your hood is operating to its full potential.

France
+33 (0) 2 32 09 55 80 | ventes@erlab.net

United States
+1 800-964-4434 | captairsales@erlab.com

China
+86 (0) 512 5781 4085 | sales.china@erlab.com.cn

Spain
+34 936 732 474 | export.south@erlab.net

Germany
0800 330 47 31 | export.north@erlab.net

United Kingdom
+44 (0) 1722 341 940 | export.north@erlab.net

Italy
+39 (0) 2 89 00 771 | export.south@erlab.net