



Product datasheet

Halo Sense Smart

Lab air quality sensor



Be informed about the air you breathe in the lab

Wide spectrum of fumes and vapours

Halo Sense Smart has been designed to continuously monitor the lab air quality for a large spectrum of fumes and vapours.

The solution to various pollution issues

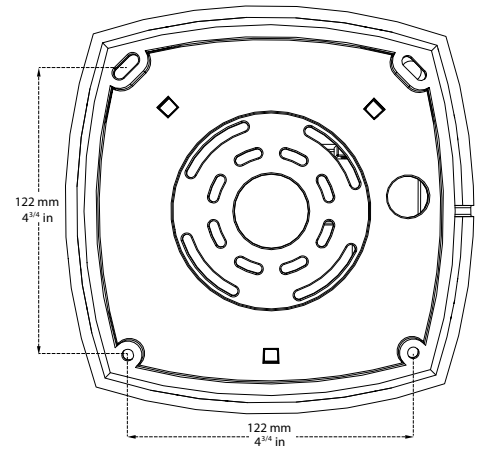
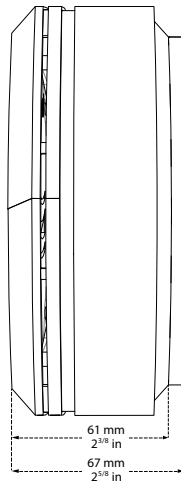
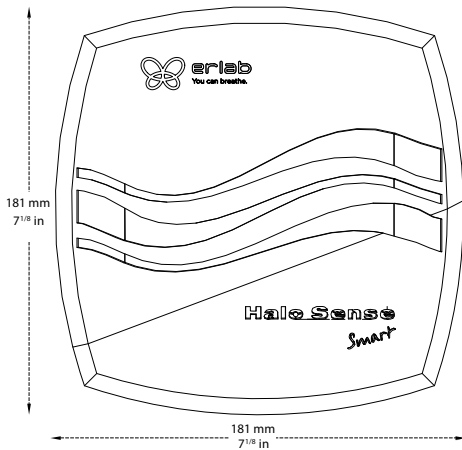
Halo Sense Smart comes in 2 versions: Volatile Organic Compounds (VOC) and Acid.

Energy savings

Halo Sense Smart can be connected to building management systems. When no pollution is detected, the air change rate can be optimised hence reducing energy costs.

SMART technology

Smart technology uses light communication to alert users in case of pollution. A soft band of light pulses to inform instantly about lab air quality. eGuard app sends safety alerts and notifications to allow a real time monitoring.



Halo Sense Smart 3 versions

	VOC For Labs with volatile organic compounds	Acid For Labs with acid vapours
--	--	---------------------------------------

Housing	Lightweight, durable plastic	
Detection	Semiconductor sensor	Electro-chemical sensor
Weight	1 kg - 2.2 lbs	
Sensitivity	5 sensitivity levels	3 sensitivity levels
Installation	Equipped with removable turntable to allow installation on: wall, bench, ceiling	
eGuard app	App for remote control and monitoring	
Energy consumption	10 W	
User Interface	Simple communication by LED pulsation system / audible warning (can be disabled)	
Voltage / frequency	80-240V 50/60hz	
Connectivity	via Ethernet connector (RJ45 cable provided)	
RJ45 cable	Length: 3m	
Voltage output 3.3 VDC	1 permanent for alarm indicator (3.3V)	
Coverage	from 14 to 40m ²	



Download our eGuard app and see what Halo sense smart is sensing

eGuard sends alerts to your preferred device. If the lab air is polluted, it allows you to take action before pollution level becomes a hazard.

Available for smartphone and PC



France
+33 (0) 2 32 09 55 80 | ventes@erlab.net

United States
+1 800-964-4434 | captairsales@erlab.com

China
+86 (0) 512 5781 4085 | sales.china@erlab.com.cn

Spain
+34 936 732 474 | export.south@erlab.net

Germany
0800 330 47 31 | export.north@erlab.net

United Kingdom
+44 (0) 1722 341 940 | export.north@erlab.net

Italy
+39 (0) 2 89 00 771 | export.south@erlab.net